

## Drop-in Circulators

Part Number: KTDC-202M

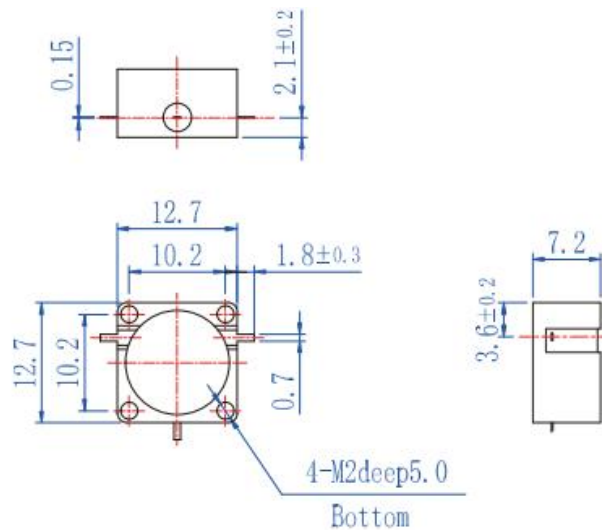
### Key Features

- Frequency Range: 1.8GHz-3.8GHz
- Low Insertion Loss, High Isolation
- Small Size, Good Performance
- Wide Operating Temperature Range : -40°C~+85°C
- Commercial, Military and Space Applications

### Electrical Specifications at Room (25°C±5°C) Temperature

| Part Number | Freq. Range (GHz) | Bandwidth Max. (MHz) | Insertion Loss Max. (dB) | Isolation Min. (dB) | VSWR Max. | Forward Power (W) | Connector Type |
|-------------|-------------------|----------------------|--------------------------|---------------------|-----------|-------------------|----------------|
| KTDC-202M   | 1.8 - 3.8         | 150                  | 0.5                      | 20                  | 1.25      | 50                | TAB            |

### Mechanical Dimensions (mm)



### HOW TO ORDER

